



# Technical Manual

# STEREO INTEGRATED AMPLIFIER RA-06SEv02

### Table of Contents

- Specification.....1
- Parts List .....2~7
- Adjustment.....8
- PCB Assembly .....9
- Schematic Diagram .....10~11

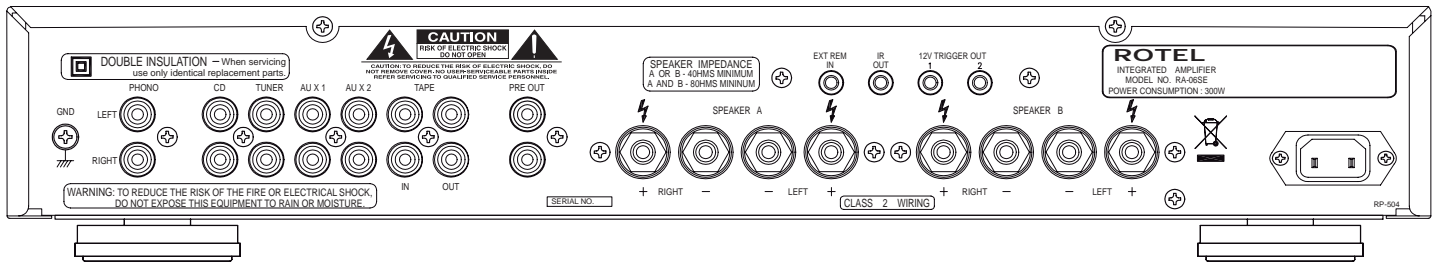
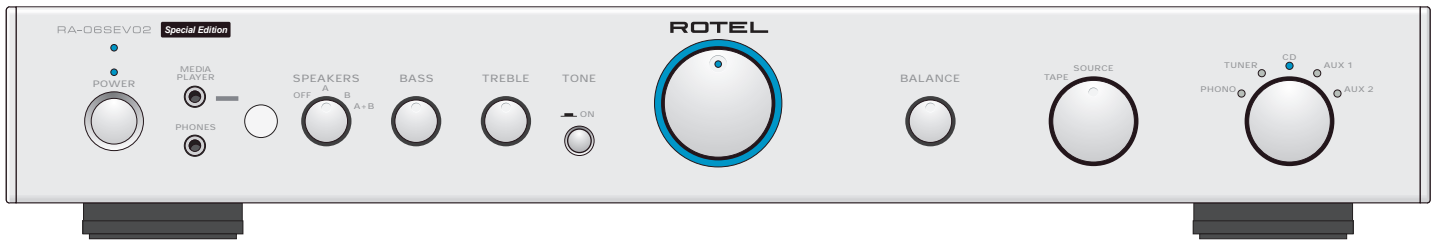
### Specifications

<b>Continuous Power Output</b> (20-20 kHz, < 0.03%, 8 ohms)	70 watts/ch
<b>Total Harmonic Distortion (20Hz - 20kHz)</b>	< 0.03% at rated power 1/2 power or 1 watt
<b>Intermodulation Distortion (60 Hz : 7 kHz, 4:1)</b>	< 0.03% at rated power 1/2 power or 1 watt
<b>Frequency Response</b>	
Phono Input	20Hz-15kHz, ±0.3dB
Line Level Inputs	10Hz-100kHz±1dB
<b>Damping Factor (20-20,000 Hz, 8 ohms)</b>	180
<b>Input Sensitivity / Impedance</b>	
Phono Input	2.5mV / 47 kOhms
Line Level Inputs	150 mV / 24 kOhms
<b>Input Overload</b>	
Phono Input	180mV
Line Level Inputs	5V
<b>Premp Output / Impedance</b>	1V / 470 Ohms
<b>Tone Controls - Bass / Treble</b>	±6 dB at 100Hz / 10kHz
<b>Signal to Noise Ratio (IHF "A" weighted)</b>	
Phono Input	80 dB
Line Level Inputs	100 dB
<b>Power Requirements</b>	
USA Version	120 Volts, 60 Hz
European Version	230 Volts, 50 Hz
<b>Power Consumption</b>	300 Watts, 36 W - Idle, 3.7 W - Standby
<b>Dimensions (W x H x D)</b>	437 x 92 x 342 mm 17 1/8 x 3 5/8 x 13 1/2"
<b>Panel Height</b>	80 mm / 3 1/16"
<b>Weight (net)</b>	7.7 kg, 17 lbs.

## THE ROTEL CO., LTD

2F 6-12-21 MEGUROHON-CHO, MEGURO-KU,  
TOKYO 152-0002, JAPAN

Serial. NO. Beginning	0111001 ~
--------------------------	-----------



SYMBOL	PARTS NO.	DESCRIPTION
<b>016 X-1446E01-11 PCB ASSY</b>		
	501 X-1446E-3	PCB ASSY (MAIN)
Q601/603,602/604,607/609,608/610	019 C-4334A04	TRANSISTOR CAP TP752522
C901	019 C-4357A03	CAPACITOR COVER
L601,602	021 TRL-332	SPEAKER COIL 1F
X701	023 CR0100302	RESONATOR CSALF4M19G55-B0
IC703	031 IC0006700	IC LB1641 (MOTOR DRIVE)
IC651	031 IC0008601	IC UPC1237 (PROTECTION) (501 E-1471 assy)
IC401	031 IC0008802	IC NE5532AP (OPE DUAL)
IC504	031 IC0009300	IC NJM2114D (OPE DUAL)
IC901	031 IC0011204	IC KIA78L05BP
IC503	031 IC0012600	IC OPA2277PA
IC502	031 IC0012700	IC OPA2604AP
IC751	031 IC0012901	IC PC817X2NSZW
IC702	031 IC0016000	IC TC74HC595AP
IC501	031 IC0016601	IC TC9163ANG
IC701	031 IC0018101	IC TMP47C400BN-1A57 (MICON)
Q625,626	032 A1837	TRANSISTOR 2SA1837
Q623,624	032 C4793	TRANSISTOR 2SC4793
Q654-656	032 TA608-FG	TRANSISTOR 2SA608KAA-FG
Q651,652	032 TC2362-FG	TRANSISTOR 2SC2362KAA-FG
Q903	032 TC3708-ST	TRANSISTOR 2SC3708AA-ST
Q691,751,902	032 TC536-FG	TRANSISTOR 2SC536KAA-FG
Q613,614,901,905	033 B631-EF	TRANSISTOR 2SB631K-EF(PAIR 2SD600K)
Q615,616,904,906	033 D600-EF	TRANSISTOR 2SD600K-EF(PAIR 2SB631K)
Q611,612	033 TA1016-FG	TRANSISTOR 2SA1016KAA-FG(PAIR 2SC2362K)
Q607-610	033 TA1016-G	TRANSISTOR 2SA1016KAA-G(G ONLY) (PAIR 2SC2362K)
Q621,622	033 TA1207-ST	TRANSISTOR 2SA1207S/T-AA(PAIR 2SC2909)
Q605,606	033 TC2362-FG	TRANSISTOR 2SC2362KAA-FG(PAIR 2SA1016K)
Q601-604	033 TC2362-G	TRANSISTOR 2SC2362KAA-G(G ONLY) PAIR PAIR
Q619,620	033 TC2909-ST	TRANSISTOR 2SC2909S/T-AA(PAIR 2SA1207)
D901	034 DB0000400	POWER DIODE BR84 (8A 400V)
D609-612,903,904	034 DD0000200	DIODE T1N4004-TB
D601-608,651-653,706,721,722	034 DD0000300	DIODE T1N4148-86
D691-693,707-720,723-726,728,751	034 DD0000300	DIODE T1N4148-86
D902,908,654	034 DD0000300	DIODE T1N4148-86
D907	034 DZ0100121	ZENER DIODE HZS12NB3
D909,910	034 DZ0100151	ZENER DIODE HZS15NB3
D905,906	034 DZ0100181	ZENER DIODE HZS18NB3
D727	034 DZ0104R71	ZENER DIODE TRD4.7JST1
D701-705	034 LE0002100	LED LA31534aB3YMZ BLUE
TH652	034 TH0000400	THERMISTOR TTC-503 50K
R906	034 TRD3.9HST1	ZENER DIODE
F901,902	036 5T6.3L-250V	FUSE 250VT6.3AL
C501,502	041 35ZA10MTZ	ELECTROLYTIC CAPACITOR 35V10UF
C601,602	041 35ZA4R7MTZ	ELECTROLYTIC CAPACITOR 35V4.7UF
C607,608	041 50ZL100M	ELECTROLYTIC CAPACITOR 50V100UF
C906,907	041 ALC20S1044DG	ELECTROLYTIC CAPACITOR 50V10000UF
C515,516,920,921,C11	041 EEUFC1E101SB	ELECTROLYTIC CAPACITOR 25V100UF
C413,414,505,506,521,522,529,530	041 EEUFC1E221B	ELECTROLYTIC CAPACITOR 25V220UF
C922,923	041 EEUFC1E221B	ELECTROLYTIC CAPACITOR 25V220UF
C411,412,523,524,527,528	041 EEUFC1H100LB	ELECTROLYTIC CAPACITOR 50V10UF
C918,919	041 EEUFC1V102	ELECTROLYTIC CAPACITOR 35V1000UF
C705	041 TUTES0J222-7TS	ELECTROLYTIC CAPACITOR 6.3V2200UF
C653,914,915,917	041 TUTES1E101-7TF	ELECTROLYTIC CAPACITOR 25V100UF
C654,710	041 TUTES1E470-7TF	ELECTROLYTIC CAPACITOR 25V47UF
C916	041 TUTES1H010-7TF	ELECTROLYTIC CAPACITOR 50V1UF
C651,652 ,910	041 TUTES1H100-7TF	ELECTROLYTIC CAPACITOR 50V10UF
C711	041 TUTES1H2R2-7TF	ELECTROLYTIC CAPACITOR 50V2.2UF
C913	041 TUTES1H471-7TS	ELECTROLYTIC CAPACITOR 50V470UF
C703	041 TUTES1H4R7-7TF	ELECTROLYTIC CAPACITOR 50V4.7UF
C403,404	041 U25V10LN	ELECTROLYTIC CAPACITOR UKL

SYMBOL	PARTS NO.	DESCRIPTION
C513,514	042 TP50V152JE	MYLAR CAPACITOR 0.0015UF
C517,518	042 TP50V472JE	MYLAR CAPACITOR 0.0047UF
C902-905,908,909	043 TC500V103	CERAMIC CAPACITOR 500V0.01UF
C707-709	043 TC50V103	CERAMIC CAPACITOR 50V0.01UF
C415	043 TC50V473	CERAMIC CAPACITOR 50V0.047UF
C701,702	043 TC50VCH330	CERAMIC CAPACITOR 50V33PF
C901	044 DE2E3KH472MA3B	SPARK KILLER
C507-512	044 ECQV1H104JL	SF CAPACITOR 50V0.1UF
C401,402	044 FSC160V151H	POLYSTYRENE CAPACITOR 160V150PF
C617,618	044 FSC160V221H	POLYSTYRENE CAPACITOR 160V220PF
C609,610	044 FSC160V331H	POLYSTYRENE CAPACITOR 160V330PF
C603,604	044 FSCEX160V101H	POLYSTYRENE CAPACITOR 160V100PF
C503,504,519,520	044 FSCEX160V470H	POLYSTYRENE CAPACITOR 160V47PF
C613-616	044 FSCEX160V471H	POLYSTYRENE CAPACITOR 160V470PF
C405,406	044 G92J102F0	PP CAPACITOR MKP1839-210/631 630V1000PF
C619,620,704	044 KT18-2A104K	M.P CAPACITOR MKT1818-410/015
C407,408	044 S50V200PG	STYROL CAPACITOR 50V200PF(G)
C525,526	044 S50V220PJ	STYROL CAPACITOR 50V220PF(J)
C409,410	044 S50V4300PG	STYROL CAPACITOR 50V4300PF(G)
VR503,VR504	051 4TR-2774#1	VARIABLE RESISTOR 20KXB2
VR501	051 4TR-2776#1	VARIABLE RESISTOR 100KMN
VR502	051 C-4170A35	VR 50KAX2WITH MOTOR
VR601,VR602	051 SFR001-222	SEMI-FIXED RESISTOR 2.2K
R917	053 CR14-104J-A	CARBON RESISTOR CR14 100K
R682,906	053 CR14-154J-A	CARBON RESISTOR CR14 150K
R913	053 CR14-222J-A	CARBON RESISTOR CR14 2.2K
R694	053 CR14-272J-A	CARBON RESISTOR CR14 2.7K
R914	053 CR14-822J-A	CARBON RESISTOR CR14 8.2K
R709,754	053 CR16-100J-A	CARBON RESISTOR CR16 10
R753	053 CR16-101J-A	CARBON RESISTOR CR16 100
R751,752	053 CR16-102J-A	CARBON RESISTOR CR16 1K
R703,704,711-714,716	053 CR16-104J-A	CARBON RESISTOR CR16 100K
R705	053 CR16-124J-A	CARBON RESISTOR CR16 120K
R707	053 CR16-153J-A	CARBON RESISTOR CR16 15K
R756	053 CR16-183J-A	CARBON RESISTOR CR16 18K
R755	053 CR16-333J-A	CARBON RESISTOR CR16 33K
R701,702,710,715,717-720	053 CR16-472J-A	CARBON RESISTOR CR16 4.7K
R706	053 CR16-473J-A	CARBON RESISTOR CR16 47K
R919,920	054 1WS1.2KJF	MOF RESISTOR 1.2K
R904	054 1WS150JF	MOF RESISTOR 150
R691,692,907,908	054 1WS330JF	MOF RESISTOR 330
R916	054 1WS560JF	MOF RESISTOR 560
R651,652	054 2WS10JF	MOF RESISTOR 10
R643-650	054 NIR2-0.22JF	NON-INDUCTIVE RESISTOR 2W 0.22
R527,528	054 TMF1001	METAL RESISTOR 1/4W 1K
R902	054 TMF1002	METAL RESISTOR 1/4W 10K
R903	054 TMF1003	METAL RESISTOR 1/4W 100K
R523,524,539,540,677,678	054 TMF16-1003	METAL RESISTOR 1/6W 100K
R535,536,671,672	054 TMF16-1201	METAL RESISTOR 1/6W 1.2K
R683,684	054 TMF16-1203	METAL RESISTOR 1/6W 120K
R515,516,519,520	054 TMF16-1501	METAL RESISTOR 1/6W 1.5K
R517,518,665,666,679,681	054 TMF16-1502	METAL RESISTOR 1/6W 15K
R511,512,537,538	054 TMF16-2001	METAL RESISTOR 1/6W 2K
R509,510	054 TMF16-2201	METAL RESISTOR 1/6W 2.2K
R513,514	054 TMF16-2202	METAL RESISTOR 1/6W 22K
R661,662,670	054 TMF16-2702	METAL RESISTOR 1/6W 27K
R521,522	054 TMF16-4700	METAL RESISTOR 1/6W 470
R674	054 TMF16-4701	METAL RESISTOR 1/6W 4.7K
R675,676	054 TMF16-4702	METAL RESISTOR 1/6W 47K
R680	054 TMF16-5602	METAL RESISTOR 1/6W 56K
R668,673	054 TMF16-6800	METAL RESISTOR 1/6W 680
R663,664	054 TMF16-8203	METAL RESISTOR 1/6W 820K

SYMBOL	PARTS NO.	DESCRIPTION
R911,912	054 TMF2700	METAL RESISTOR 1/4W 270
R641,642	054 TMF3300	METAL RESISTOR 1/4W 330
R905	054 TMF3301	METAL RESISTOR 1/4W 3.3K
R909,910	054 TMF3901	METAL RESISTOR 1/4W 3.9K
R505,506	054 TMF4700	METAL RESISTOR 1/4W 470
R901	054 TMF4702	METAL RESISTOR 1/4W 47K
R415,416,631,632	054 TMFR4001KI	METAL RESISTOR MFR4 1K
R405,406	054 TMFR401K2I	METAL RESISTOR MFR4 1.2K
R607-610,615-618	054 TMFR401K5I	METAL RESISTOR MFR4 1.5K
R693	054 TMFR4022KI	METAL RESISTOR MFR4 22K
R553,554,557,558,561,562,565,566	054 TMFR4027KI	METAL RESISTOR MFR4 27K
R507,508	054 TMFR402K2I	METAL RESISTOR MFR4 2.2K
R627,628	054 TMFR403K9I	METAL RESISTOR MFR4 3.9K
R603,604,621,622	054 TMFR4047KI	METAL RESISTOR MFR4 47K
R633,634	054 TMFR4047RI	METAL RESISTOR MFR4 47
R407,408	054 TMFR404K7I	METAL RESISTOR MFR4 4.7K
R409,410	054 TMFR4056KI	METAL RESISTOR MFR4 56K
R417,418,525,526,531,532	054 TMFR4100KI	METAL RESISTOR MFR4 100K
R623,624,629,630	054 TMFR4100RI	METAL RESISTOR MFR4 100
R611,612,619,620,637-640	054 TMFR4220RI	METAL RESISTOR MFR4 220
R551,552,555,556,559,560,563,564	054 TMFR4470RI	METAL RESISTOR MFR4 470
R921,922	054 TMFR4470RI	METAL RESISTOR MFR4 470
R413,414	054 TMFR4680RI	METAL RESISTOR MFR4 680
R411,412	054 TMFR4910KI	METAL RESISTOR MFR4 910K
R635,636	054 TPR9372-012KD	METAL RESISTOR PR9372 12K
R503,504	054 TPR9372-100KD	METAL RESISTOR PR9372 100K
R501,502	054 TPR9372-470RD	METAL RESISTOR PR9372 470
R529,530	054 TPR9372-560RD	METAL RESISTOR PR9372 560
R533,534	054 TRC55D1000C	METAL RESISTOR RC55D 100
R401,402	054 TRC55D1001C	METAL RESISTOR RC55D 1K
R541,542	054 TRC55D4700C	METAL RESISTOR RC55D 470
R403,404	054 TRC55D4702C	METAL RESISTOR RC55D 47K
R601,602,613,614	054 TRC55D5600C	METAL RESISTOR RC55D 560
R625,626	054 TRC55D6801C	METAL RESISTOR RC55D 6.8K
S502	061 C-4172A14	PUSH SWITCH SPUN194900
S901	061 C-4176A08	POWER SWITCH TV-8
S501	062 4TR-2780	ROTARY SWITCH SRRZS42N23
S601	062 4TR-3089	ROTARY SWITCH SRRZS44N01
S701	062 C-4174A13	ROTARY SWITCH SRRM1C7900
RY601,RY602	063 DH2TU-24	RELAY DH24D2-OT(M)
RY901	063 DH2U-24	RELAY DH24D2-O(M)
RY603	063 EA2-24NU	RELAY
HJ1,MP1	065 C-4939A01	3.5F MINI JACK PJ-315
HJ2-5	065 YKB21-5406N	3.5DIA MINIATURE JACK (ST)
PJ1,5	066 4TR-2166#4	2P PIN JACK AU (WHITE/RED)
PJ2-PJ4	066 4TR-2408#3	4P PIN JACK AU (WHITE/RED)
SPA,SPB	067 C-4493B00	4P SPEAKER TERMINAL (W/HOLE) RBBR
D3	068 B2B-EH	CONNECTOR POST 2P
JP5B,JP8B,JP9A,,JM1A,,JM2A	068 B3B-PH-KS	CONNECTOR POST 3P
JP2B	068 B4B-PH-KS	CONNECTOR POST 4P
JP1B,JP3B,JP4B	068 B6B-PH-KS	CONNECTOR POST 6P
TP1,TP2	068 C-3683#1	PCB TERMINAL 2P P7.5
CON3	068 C-3683#2	PCB TERMINAL 3P P7.5
CON2	068 C-3683#3	PCB TERMINAL 4P P7.5
	<b>016 E-1580A00 PCB ASSY</b>	
	501 E-1580A-2	PCB (POWER SWITCH)
S901	061 C-4176A08	POWER SW PS3-22SPA-P7CZ TV-8 (PCB)
CON2	068 C-3683#3	PCB TERMINAL 4P P7.5
CON1	068 C-4422A01	PCB TERMINAL 2P P10
	<b>016 E-1581A00 PCB ASSY</b>	
	501 E-1581A-2	PCB ASSY (STANDBY)

SYMBOL	PARTS NO.	DESCRIPTION
T801	022 T-1119N01-V01	STANDBY TRANS 11.4V-11mA
IC801	031 IC0011204	IC KIA78L05BP(TO-92)
(IC802)	031 IC0032500	IC PIC10F202 STANDBY CPU
Q801,802	032 TC536-FG	TRANSISTOR 2SC536KAA-FG
D801	034 DB0000100	POWER DIODE W02M (1.5A 200V)
D803,804	034 DD0000300	DIODE 1N4148 (AMMO) WA 150mA 75V
(AC115V),(AC230V)	036 R251-062MXL	AXIAL FUSE 62MA R251.062MXL
C807-809	041 TUTES1E470-7TF	ELECTROLYTIC CAPACITOR 25/47
C806	041 TUTES1E471-7TS	ELECTROLYTIC CAPACITOR 25/470
C802	043 TC500V103	CERAMIC CAPACITOR 500V0.01UF
C805	043 TC50V103	CERAMIC CAPACITOR 50V0.01UF
C801	044 DE2E3KH472MA3B	SPARK KILLER 4700PF
R805,806	054 TMF16-1000	METAL RESISTOR 1/6W 100
R802	054 TMF16-1002	METAL RESISTOR 1/6W 10K
R801	054 TMF16-10R0	METAL RESISTOR 1/6W 10
(R803)	054 TMF16-3302	METAL RESISTOR 1/6W 33K
R807	054 TMF16-4702	METAL RESISTOR 1/6W 47K
RY801	063 OZT-SS-112LM1	RELAY DC12V TV8
K13	068 B2B-EH	CONNECTOR POST 2P
K13	068 B3B-EH	CONNECTOR POST 3P
K11	068 B3B-PH-KS	CONNECTOR POST 3P
K21,K22	068 C-4422A01	PCB TERMINAL 2P P10
<b>016 E-1464A00 PCB ASSY</b>		
	501 E-1464A-7	PCB ASSY (REMOTE EYE)
IC704*	031 IC0019200	IC RPM7138H9 (REMOTE RECEIVER)
C706*	041 TUTES1E470-7TF	ELECTROLYTIC CAPACITOR 25V47UF
R708*	053 CR16-101J-A	RESISTOR 1/6W 100
<b>HEAT SINKER ASSY</b>		
	505 HSRA-06SEV02	PCB ASSY
	017 VE3-07A00	HEAT SINKER BOARD
	019 TO-3P	MICA SHEET TBM-51W-15 #9043
	019 ZQ4-07A00	PVC INSULATION SHEET (C)
	019 ZR4-06A00	PVC INSULATION SHEET (B)
Q617,Q618	032 D1953	TRANSISTOR 2SD1953
Q631,Q632,Q633,Q634	033 B817P-DE	TRANSISTOR 2SB817P-DE
Q627,Q628,Q629,Q630	033 D1047P-DE	TRANSISTOR 2SD1047P-DE
<b>O T H E R S</b>		
	011 FP-665-B	BLACK PANEL ASSY
	011 FP-665-S	SILVER PANEL ASSY
	012 C-4911A00	KNOB 15Φ (SLIVER)
	012 C-4915A00	KNOB 15Φ (BLACK)
	012 C-4912A01	KNOB 25Φ (SLIVER)
	012 C-4916A01	KNOB 25Φ (BLACK)
	012 C-4912A02	KNOB 25Φ NO MARK (SLIVER)
	012 C-4916A02	KNOB 25Φ NO MARK (BLACK)
	012 C-4914A01	KNOB 43Φ W/LED (SLIVER)
	012 C-4918A01	KNOB 43Φ W/LED (BLACK)
	012 RV4-09A00	PUSH BUTTON 14Φ (BLACK)
	012 RV4-09A01	PUSH BUTTON 14Φ (SLIVER)
	012 VR4-06A00	PUSH BUTTON 7Φ (SLIVER)
	012 VR4-06A01	PUSH BUTTON 7Φ (BLACK)
	014 C-4550A09	UPPER COVER (BLACK)
	014 C-4550A34	UPPER COVER (SLIVER)
	014 C-4906A01	ORNAMENT SIDE BOARD H=80mm (SILVER)
	014 C-4906A02	ORNAMENT SIDE BOARD H=80mm (BLACK)
	019 4TSH-19#2	PLASTIC FOOT 50Φ (BLACK)
	019 VR4-04A00	BUTTON RING 7Φ (SLIVER)
	019 VR4-04A01	BUTTON RING 7Φ (BLACK)
T001	022 T-1055U01-V03	POWER TRANSFORMER
D001,D002	034 LE0002700	LED LJS5UBW007J 2F (BLUE)
	069 C-4629A01	AC 2P INLET 6102.3100 (WIRING)

SYMBOL	PARTS NO.	DESCRIPTION
	072 C-4620A03	AC CORD SET (SVT 18AWG/2C) for USA
	072 C-4622A02	AC CORD SET for AUSTRALIA
	072 C-4623A02	AC CORD SET for U.K.
	072 C-4624A03	AC CORD SET for EUROPE
	081 ZR3-03A01	INSIDE CARTON
	081 ZR3-04A01	SHIPPING CARTON
	081 ZE-209A	ETHAFOAM MOULDING
	082 OMRA-06SE-81	OWNER'S MANUAL
	092 RR-AT94C	REMOTE CONTROL UNIT

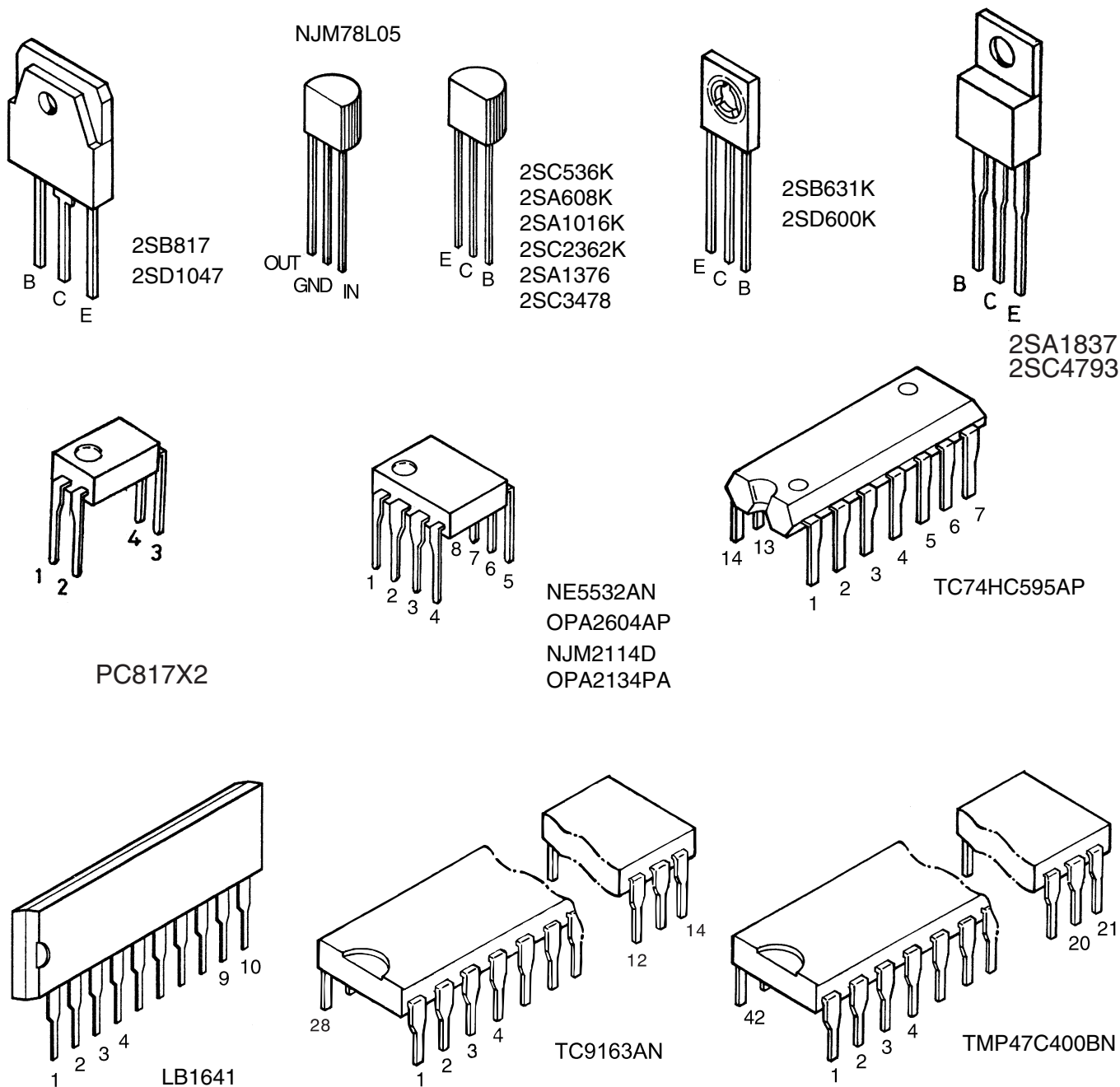
# Adjustment

Instruments : DC milli-voltmeter

Notes : Prior to Bias Adjustment, run about 5minutes with rated output(8ohms) and warm up Power Transistor and Heat Sink. Set input off.

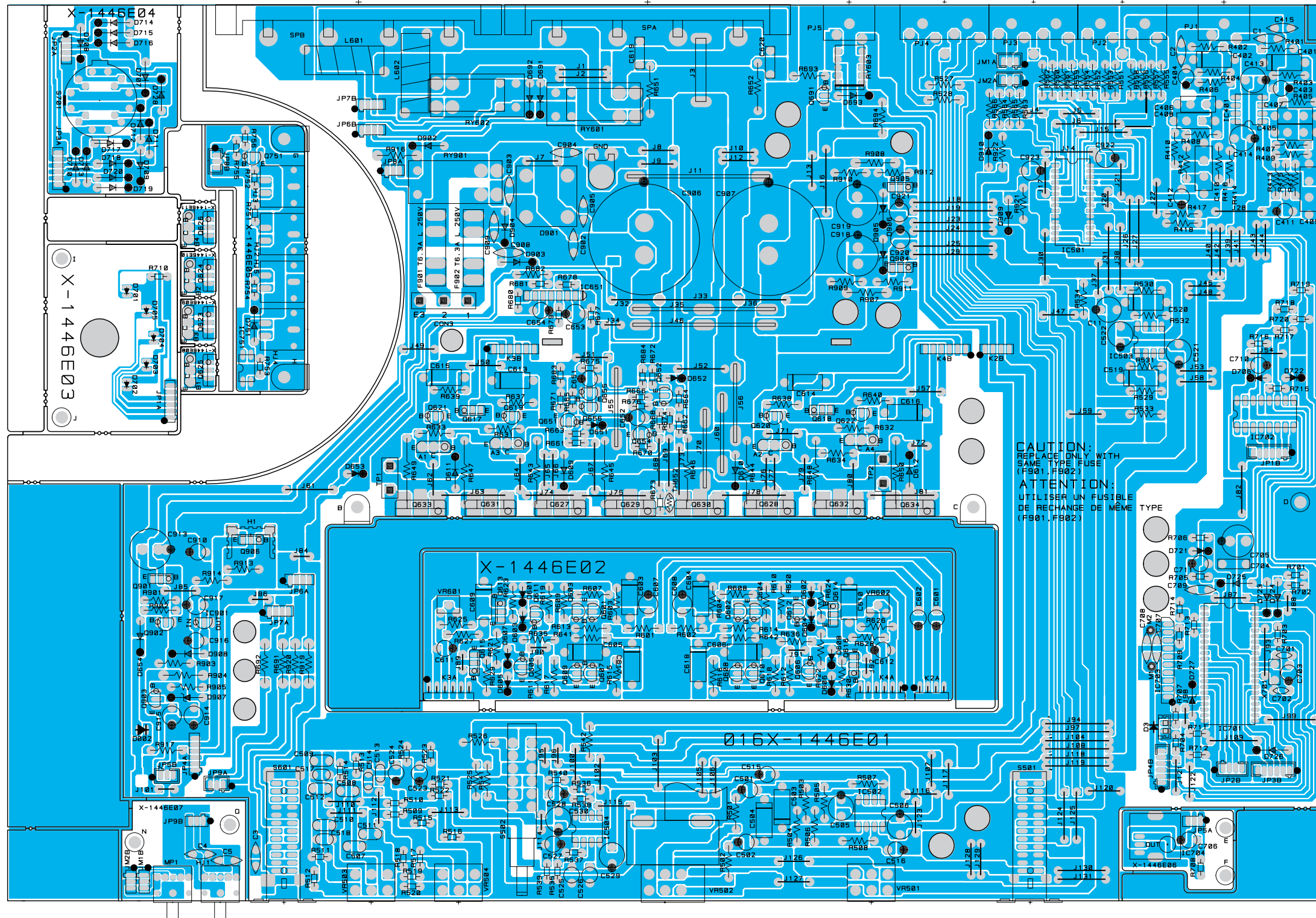
Step	Coupling	Location	Adjust	Adjust for
1	TP1	X-1446-01 PCB	VR601	DC milli-voltmeter reads 4mV
2	TP2	X-1446-01 PCB	VR602	

## Case Outlines

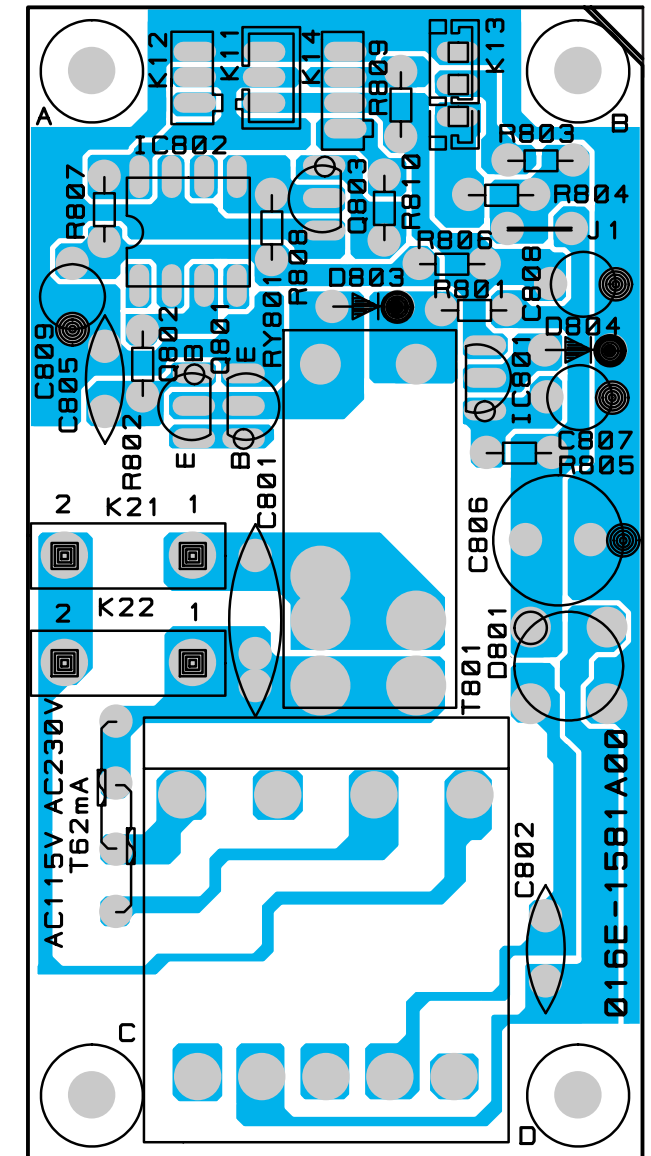




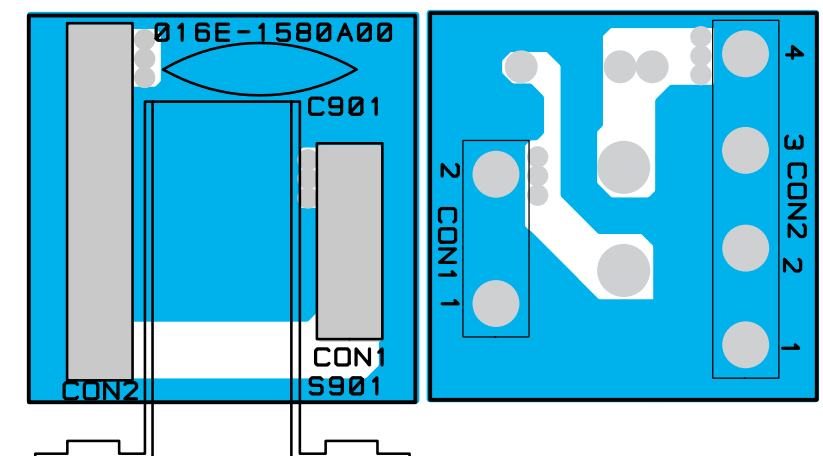
**MAIN PCB 016 X-1446E01~11**



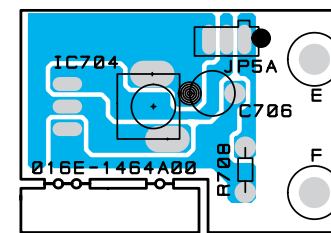
**STANDBY PCB  
016 E-1581A00**



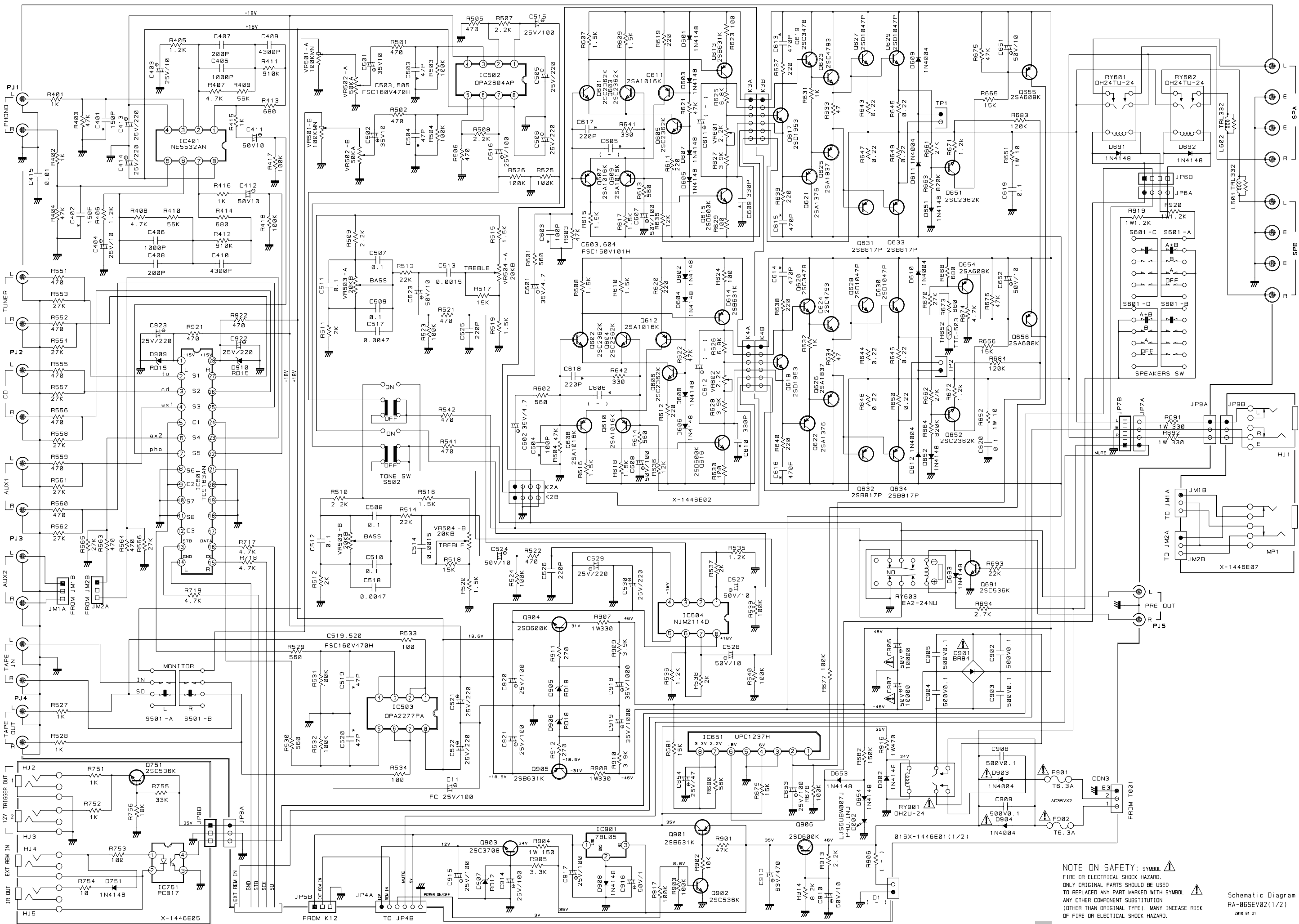
**POWER SWITCH PCB  
016 E-1580A00**



**Remote module PCB  
016 E-1464A00**

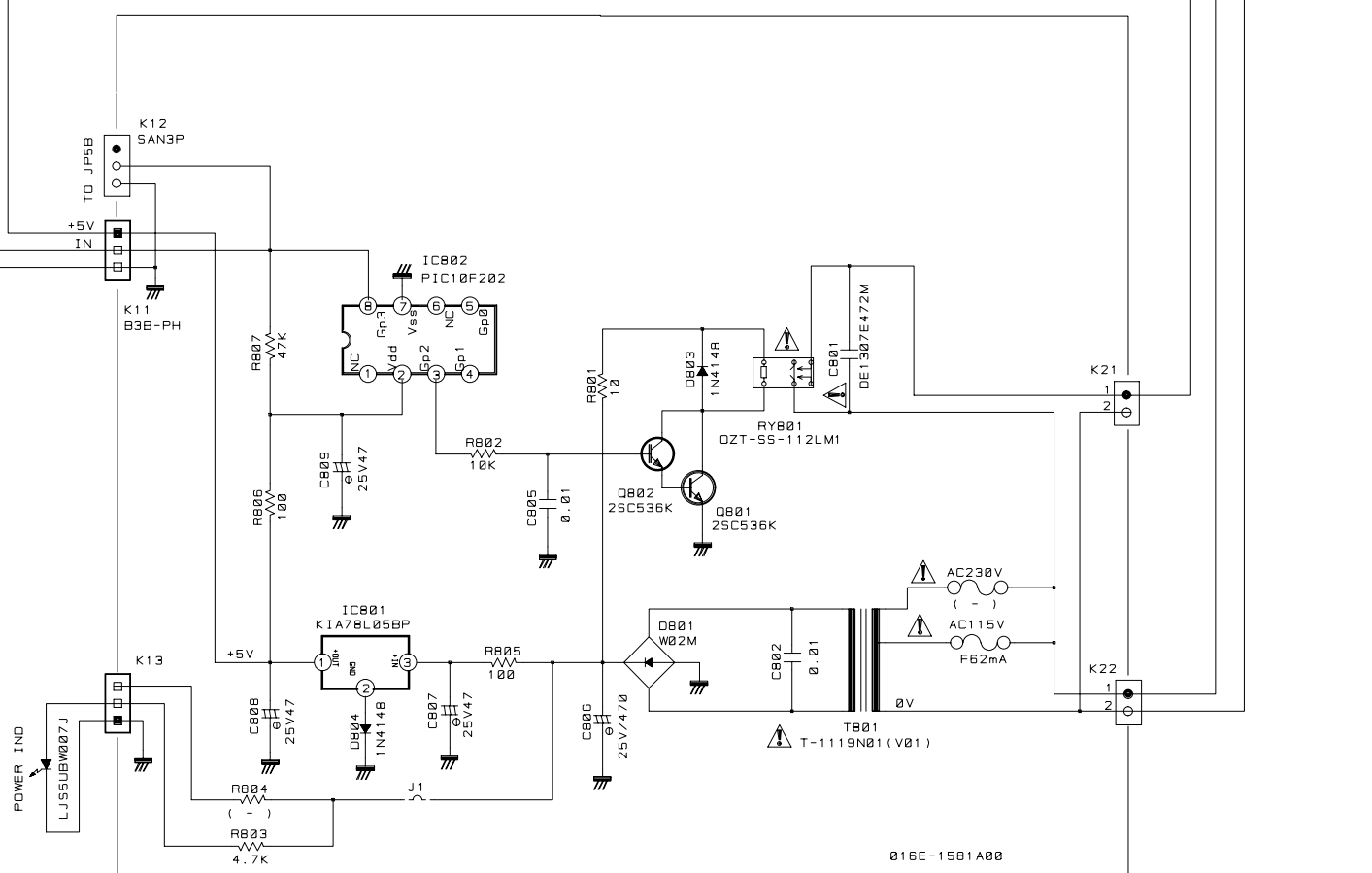
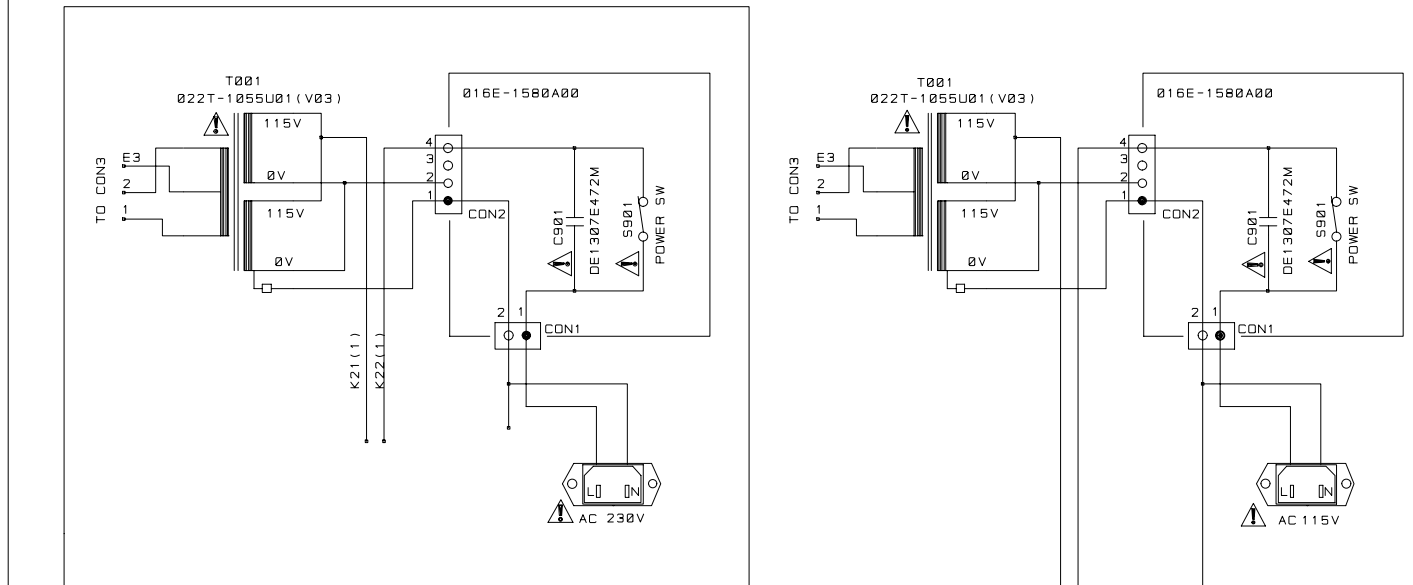
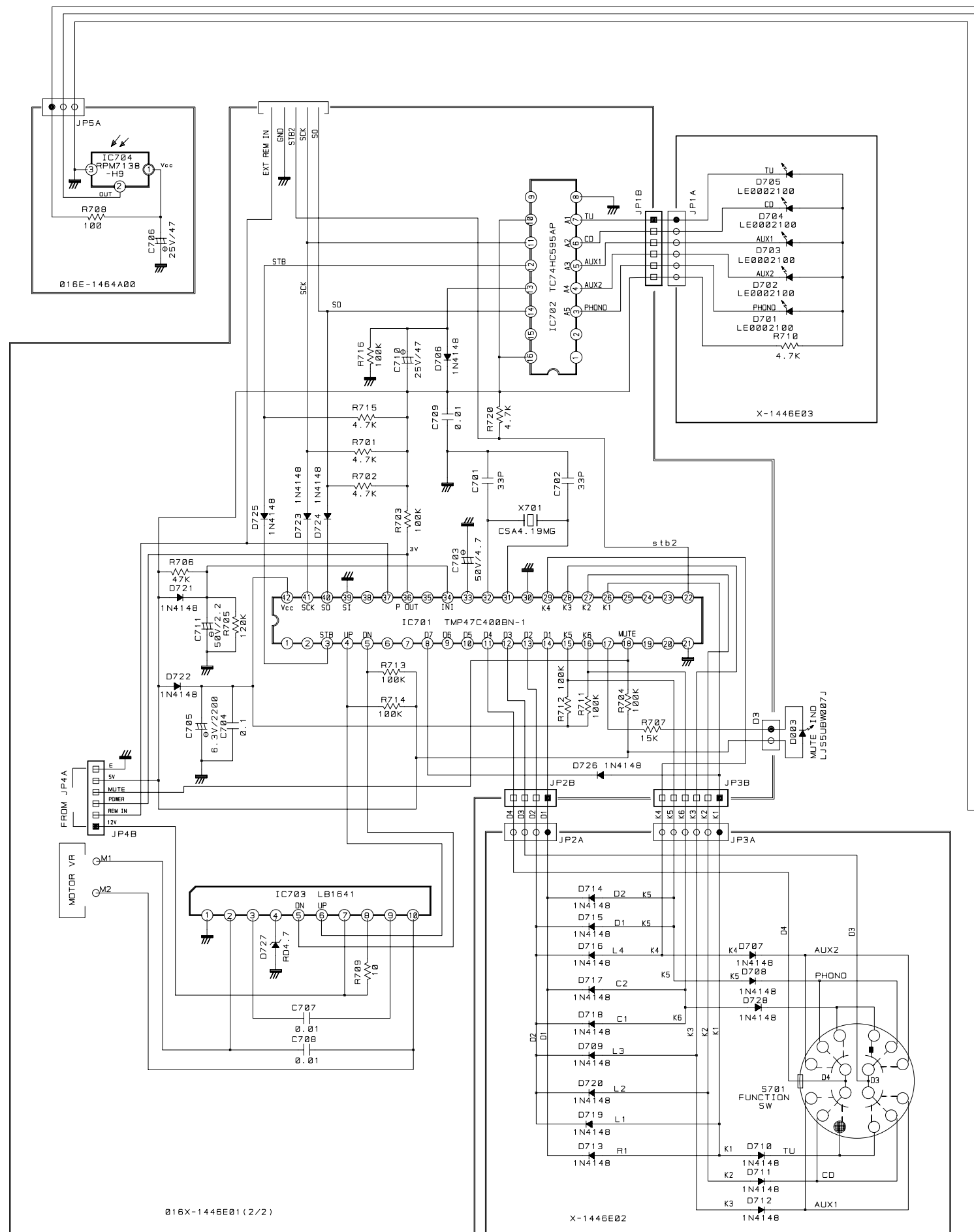




(start from S/N: )



NOTE ON SAFETY: SYMBOL ⚠  
 FIRE OR ELECTRICAL SHOCK HAZARD.  
 ONLY ORIGINAL PARTS SHOULD BE USED  
 TO REPLACE ANY PART MARKED WITH SYMBOL ⚠  
 ANY OTHER COMPONENT SUBSTITUTION  
 (OTHER THAN ORIGINAL TYPE), MANY INCREASE RISK  
 OF FIRE OR ELECTRICAL SHOCK HAZARD.

Schematic Diagram  
 RA-06SEV02(1/2)  
 2018 01 21



NOTE ON SAFETY:   
 FIRE OR ELECTRICAL SHOCK HAZARD.  
 ONLY ORIGINAL PARTS SHOULD BE USED  
 TO REPLACE ANY PART MARKED WITH SYMBOL   
 ANY OTHER COMPONENT SUBSTITUTION  
 (OTHER THAN ORIGINAL TYPE), MANY INCREASE RISK  
 OF FIRE OR ELECTRICAL SHOCK HAZARD.